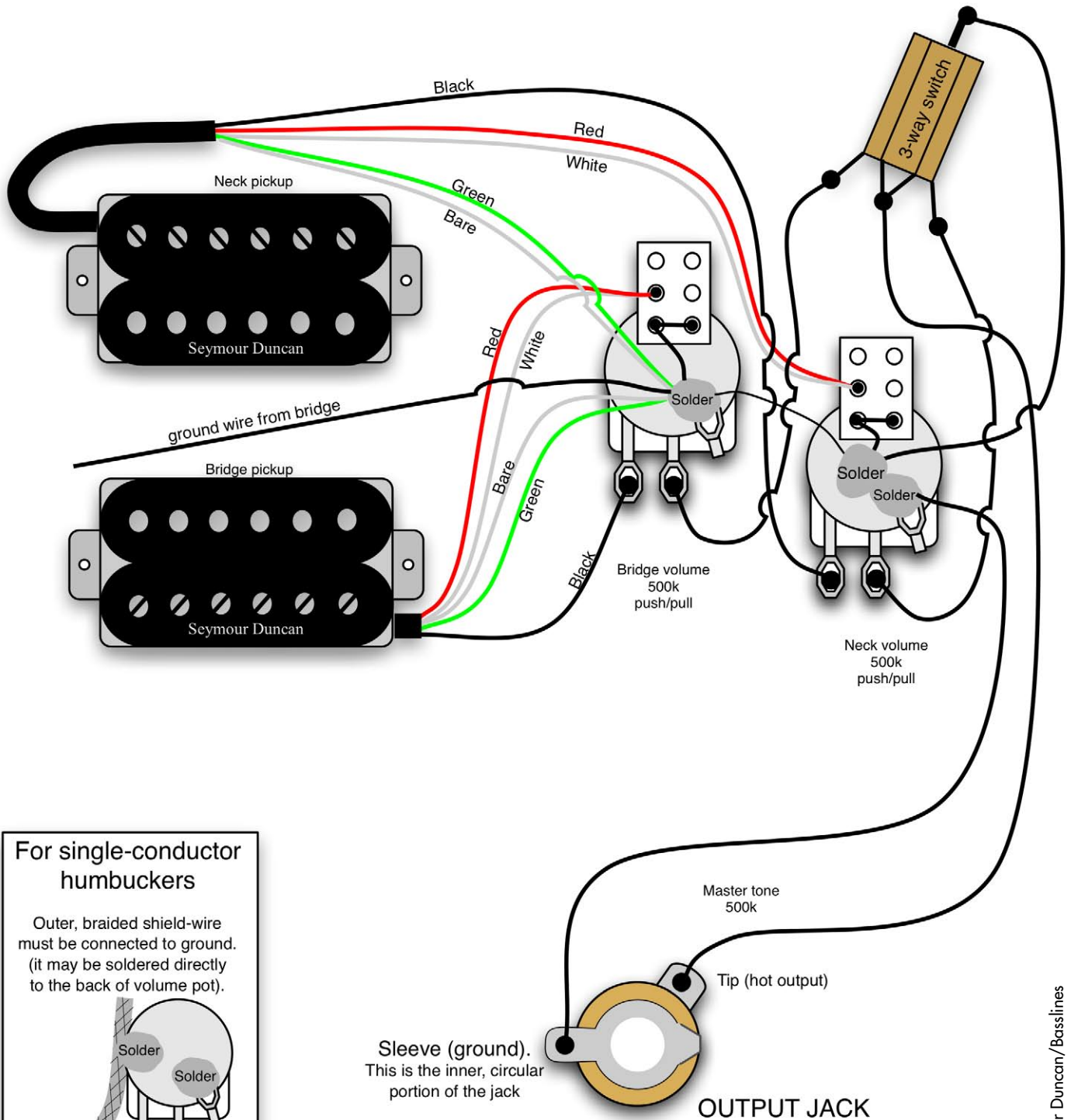


2 Humbuckers, 2 Volumes, 3 Way Switch, 2 Push/Pull

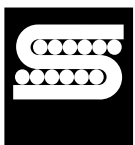


For single-conductor humbuckers

Outer, braided shield-wire must be connected to ground. (it may be soldered directly to the back of volume pot).

Inner, black cloth wire is the hot output

Solder = location for ground (earth) connections.



Seymour Duncan®