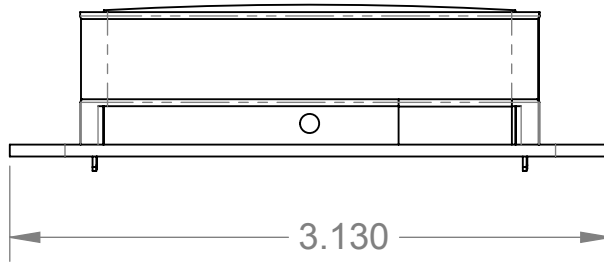
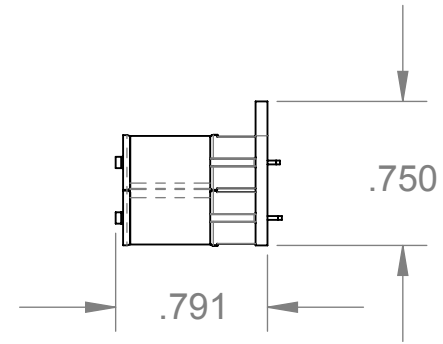
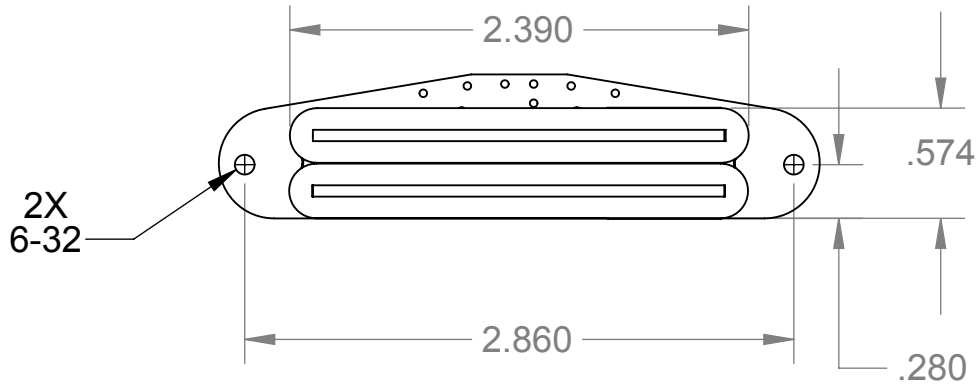


THE INFORMATION CONTAINED IN THIS DRAWING IS THE SOLE PROPERTY OF SEYMOUR DUNCAN RESEARCH. ANY REPRODUCTION IN PART OR WHOLE WITHOUT THE WRITTEN PERMISSION OF SEYMOUR DUNCAN RESEARCH IS PROHIBITED.

REVISIONS			
REV.	DESCRIPTION	DATE	APPROVED



UNLESS OTHERWISE SPECIFIED  
DIMENSIONS ARE IN INCHES  
TOLERANCES ARE:  
FRACTIONS .XX ± .01 ± 1  
DECIMALS .XXX ± .005  
ANGLES ± 1

MATERIAL XXX  
FINISH XXX  
DO NOT SCALE DRAWING

CAD GENERATED DRAWING,  
DO NOT MANUALLY UPDATE

APPROVALS	DATE
DRAWN <i>C.Scott Forbes</i>	<i>8 Aug 11</i>
CHECKED	
RESP ENG <i>Kevin Beller</i>	
MFG ENG	
QUAL ENG	

**SEYMOUR DUNCAN RESEARCH**

**Tele Hot Rails, Rhythm  
Envelope Drawing**

SIZE A	DWG. NO. <b>XXXXXX</b>	REV. <b>2</b>
-----------	---------------------------	------------------

Scale: 1:1  
1 of 1