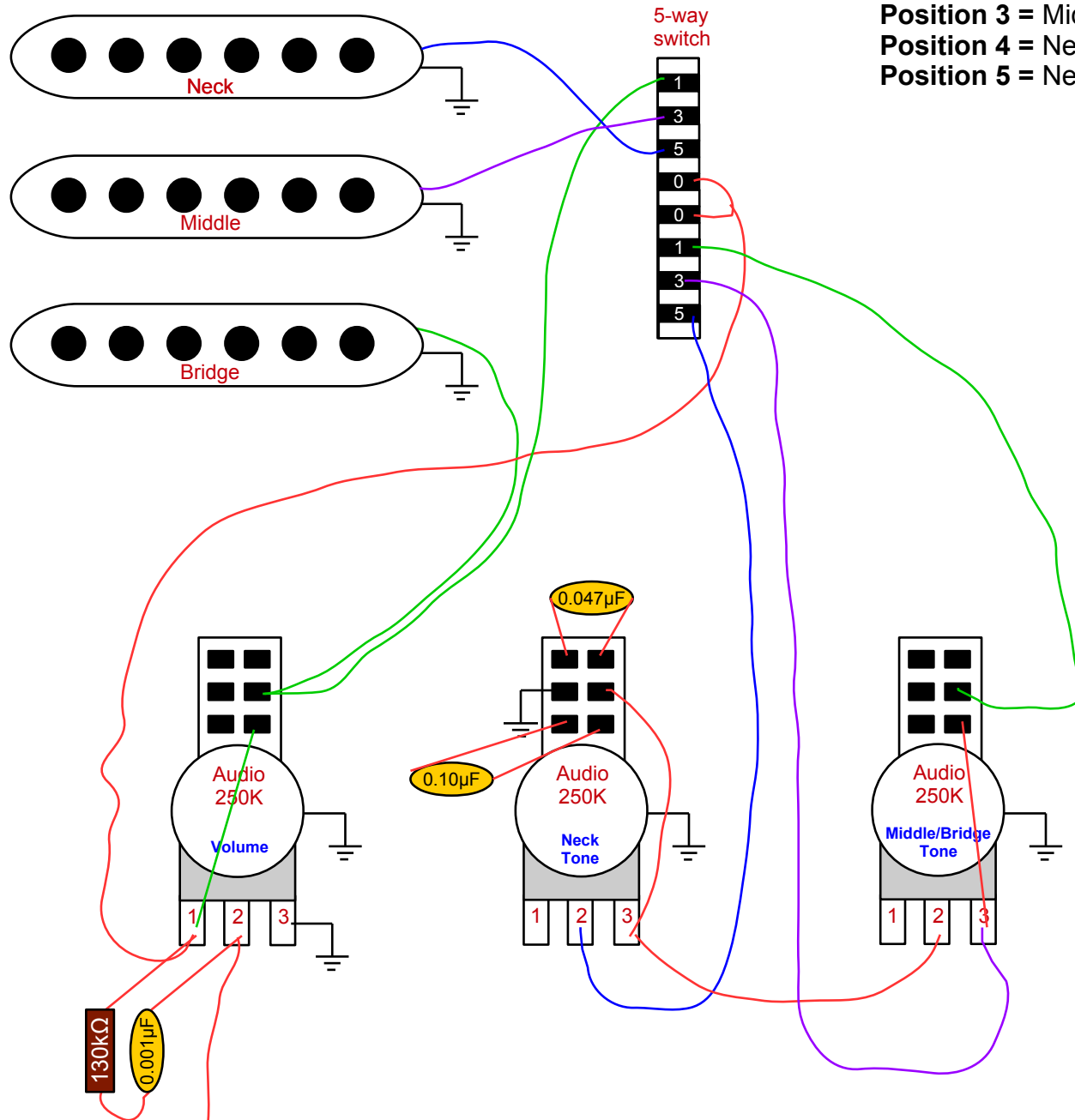


SQUIER AFFINITY STRAT WIRING SCHEME (v. 01)

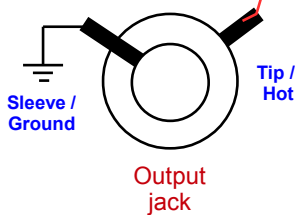
5-Way switch configuration:

- Position 1** = Bridge
- Position 2** = Bridge + Middle
- Position 3** = Middle
- Position 4** = Neck + Middle
- Position 5** = Neck



“Push/Pull” variations:

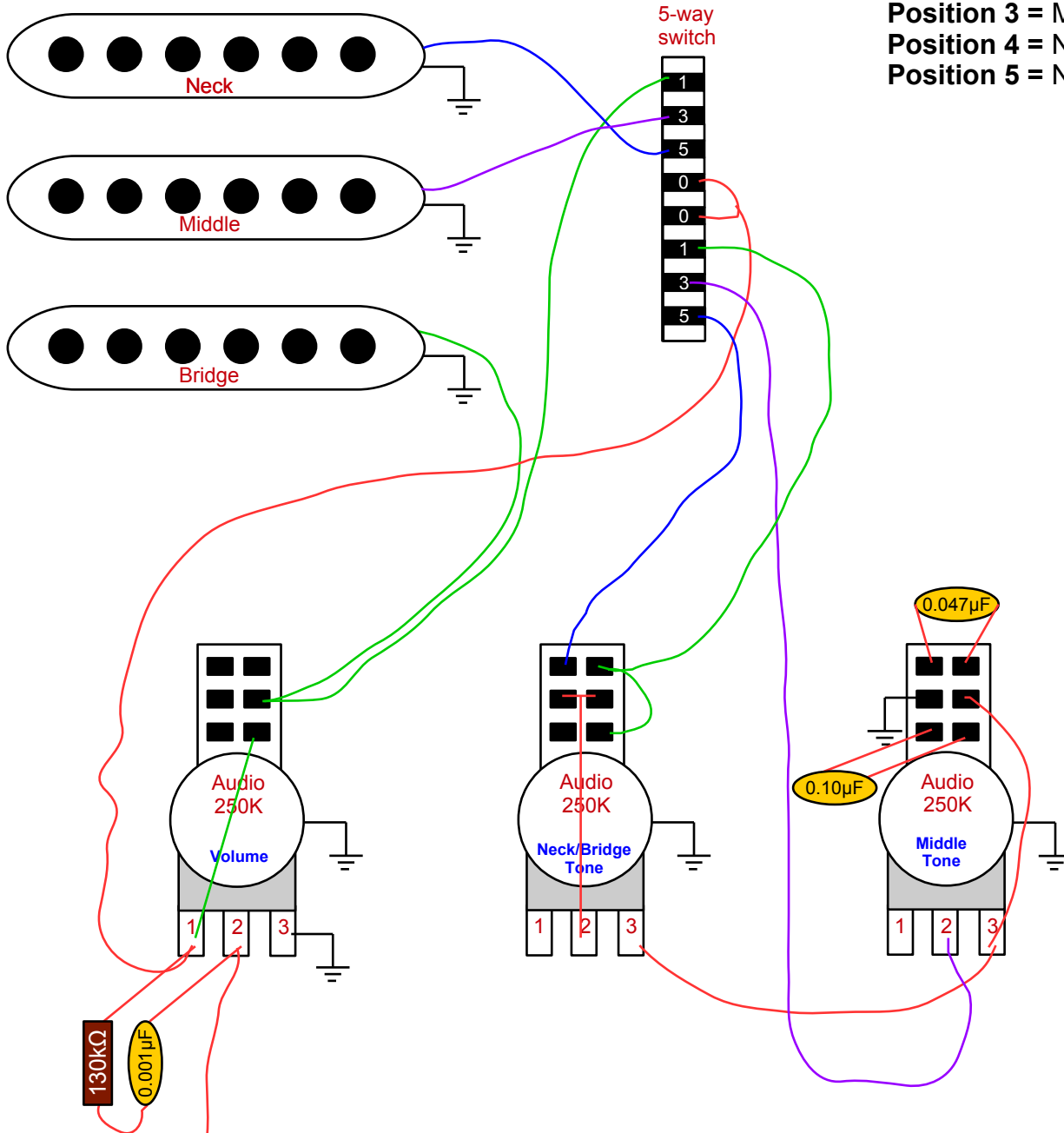
- Volume “down”** = Regular configuration.
- Volume “up”** = Turns-on Bridge pickup.
- Neck tone “down”** = 0.047 µF cap.
- Neck tone “up”** = 0.10 µF cap.
- Middle/Bridge tone “down”** = Tone controls Middle, only.
- Middle/Bridge tone “up”** = Tone controls Middle and Bridge together.



SQUIER AFFINITY STRAT WIRING SCHEME (v.02)

5-Way switch configuration:

- Position 1** = Bridge
- Position 2** = Bridge + Middle
- Position 3** = Middle
- Position 4** = Neck + Middle
- Position 5** = Neck



“Push/Pull” variations:

- Volume “down”** = Regular configuration.
- Volume “up”** = Turns-on Bridge pickup.
- Neck/Bridge tone “down”** = Tone controls Neck and Bridge together.
- Neck/Bridge tone “up”** = Tone controls Bridge, only.
- Middle tone “down”** = 0.047 µF cap.
- Middle tone “up”** = 0.10 µF cap.

