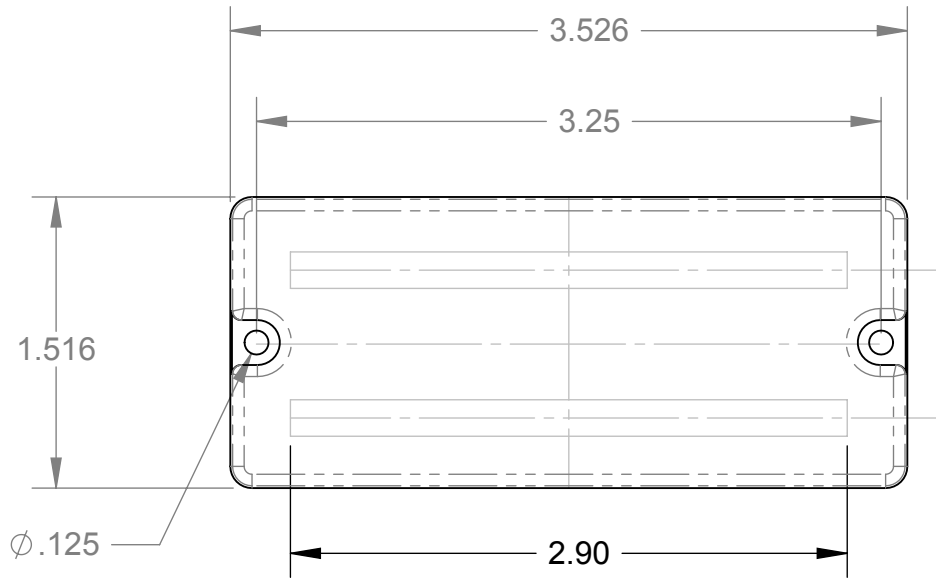
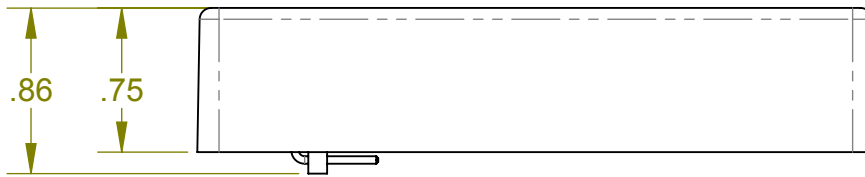


THE INFORMATION CONTAINED IN THIS DRAWING IS THE SOLE PROPERTY OF SEYMOUR DUNCAN RESEARCH. ANY REPRODUCTION IN PART OR WHOLE WITHOUT THE WRITTEN PERMISSION OF SEYMOUR DUNCAN RESEARCH IS PROHIBITED.



Maximum recommended string width, measured on centers - 2.60" or 66mm



| | | | | | |
|--|--|------------------------------|--------------------------------|--|--------------|
| UNLESS OTHERWISE SPECIFIED DIMENSIONS ARE IN INCHES TOLERANCES ARE: FRACTIONS .XX ± .01 ± 1 DECIMALS .XXX ± .005 ANGLES ± 1 | CAD GENERATED DRAWING, DO NOT MANUALLY UPDATE | | SEYMOUR DUNCAN RESEARCH | | |
| | APPROVALS | DATE | | | |
| | MATERIAL XXX | DRAWN <i>Kevin Beller</i> | 11/11/08 | Specification Sheet 4 String Blackouts for Bass | |
| | FINISH XXX | CHECKED | | | |
| DO NOT SCALE DRAWING | RESP ENG <i>Kevin Beller</i> | MFG ENG | SIZE A | | |
| | | QUAL ENG | SCALE: 1:1 | FILE: ENGR:\ | Sheet 1 of 1 |