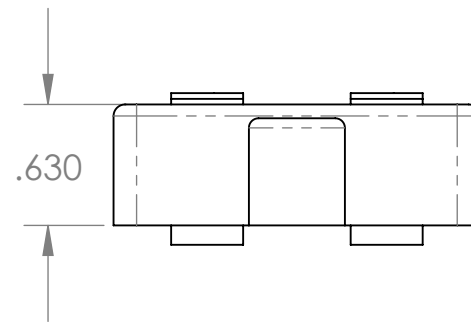
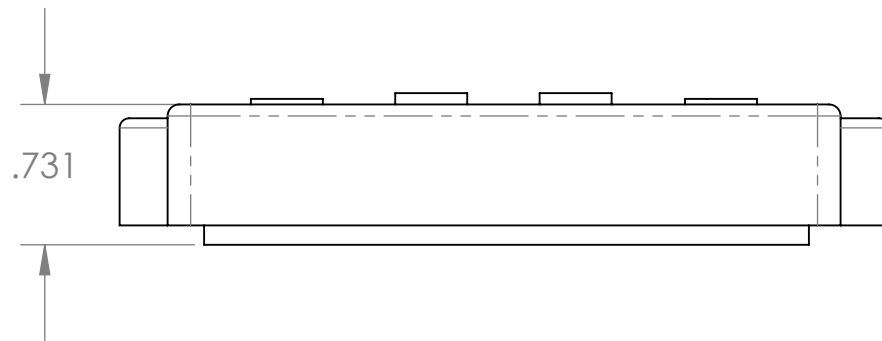
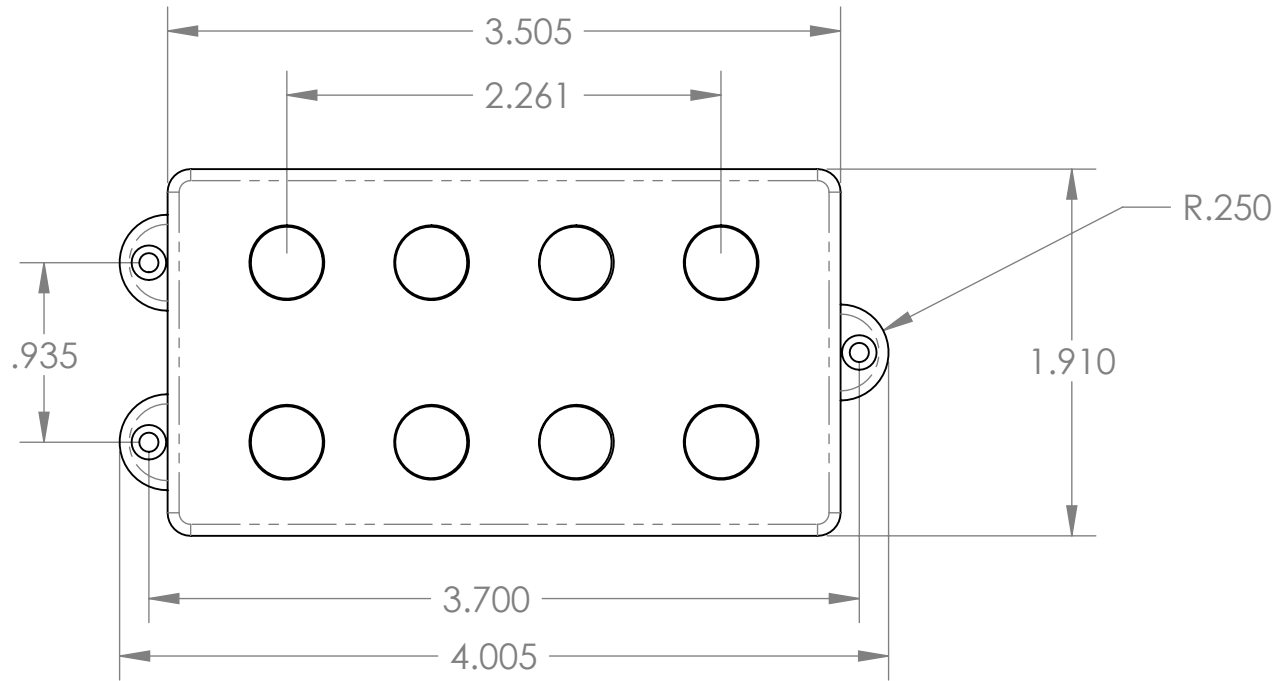


THE INFORMATION CONTAINED IN THIS DRAWING IS THE SOLE PROPERTY OF SEYMOUR DUNCAN RESEARCH. ANY REPRODUCTION IN PART OR WHOLE WITHOUT THE WRITTEN PERMISSION OF SEYMOUR DUNCAN RESEARCH IS PROHIBITED.



UNLESS OTHERWISE SPECIFIED DIMENSIONS ARE IN INCHES TOLERANCES ARE: FRACTIONS .XX ± .01 ± 1 DECIMALS .XXX ± .005 ANGLES ± 1	CAD GENERATED DRAWING, DO NOT MANUALLY UPDATE		SEYMOUR DUNCAN RESEARCH		
	APPROVALS	DATE			
	DRAWN <i>James Stryker</i>	DATE 7/18/05	Profile Drawing SMB-4D		
	CHECKED				
MATERIAL XXX	RESP ENG <i>Kevin Beller</i>			SIZE A	
FINISH XXX	MFG ENG			DWG. NO. XXXXXXX	
DO NOT SCALE DRAWING	QUAL ENG			REV. X	
		Scale: 1:1	N:\Technical Drawings\Pickup Dimensions\		1 of 1