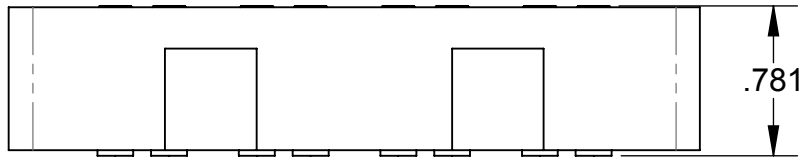
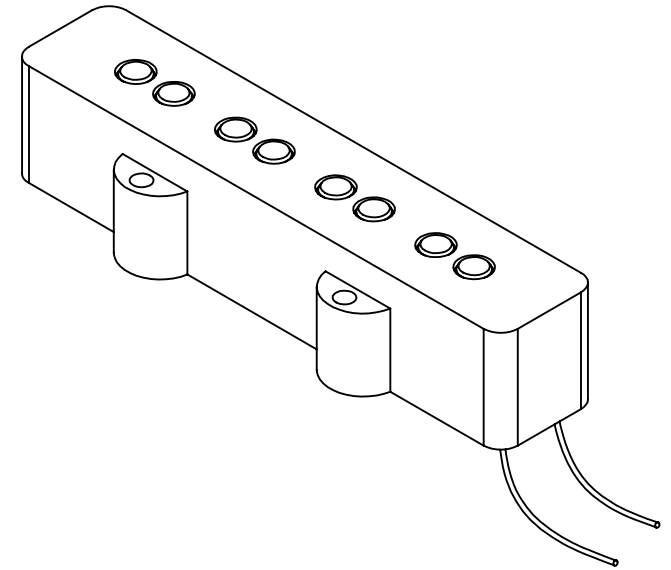
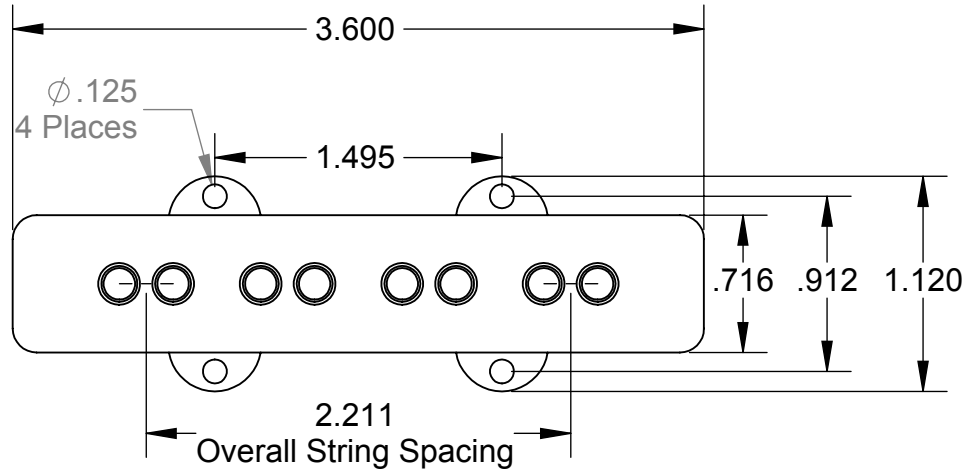


THE INFORMATION CONTAINED IN THIS DRAWING IS THE SOLE PROPERTY OF SEYMOUR DUNCAN RESEARCH. ANY REPRODUCTION IN PART OR WHOLE WITHOUT THE WRITTEN PERMISSION OF SEYMOUR DUNCAN RESEARCH IS PROHIBITED.

| REVISIONS |             |      |          |
|-----------|-------------|------|----------|
| REV.      | DESCRIPTION | DATE | APPROVED |
|           |             |      |          |
|           |             |      |          |
|           |             |      |          |



|   |  |                           |                                |  |  |
|---|--|---------------------------|--------------------------------|--|--|
| UNLESS OTHERWISE SPECIFIED DIMENSIONS ARE IN INCHES TOLERANCES ARE:<br>FRACTIONS    DECIMALS    ANGLES<br>.XX ± .01    ± 1<br>.XXX ± .005 | CAD GENERATED DRAWING,<br>DO NOT MANUALLY UPDATE |                           | <b>SEYMOUR DUNCAN RESEARCH</b> |  |  |
|   | APPROVALS  | DATE                      |                                |  |  |
|   | MATERIAL   | DRAWN<br><i>Steven C.</i> | <i>7/3/2014</i>                | <b>Envelope Drawing</b><br><b>SJB-1n, SJB-2n</b> |  |
|   | FINISH   | CHECKED                   |                                |  |  |
| DO NOT SCALE DRAWING  | RESP ENG<br><i>Kevin Beller</i>                  | MFG ENG                   | SIZE<br>A                      |  |  |
|   | QUAL ENG   |                           | SCALE : 1:1                    | Sheet 1 of 1                                     |  |