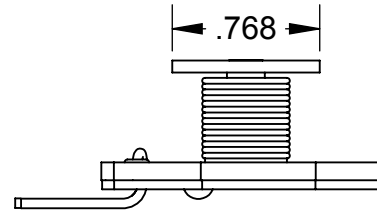
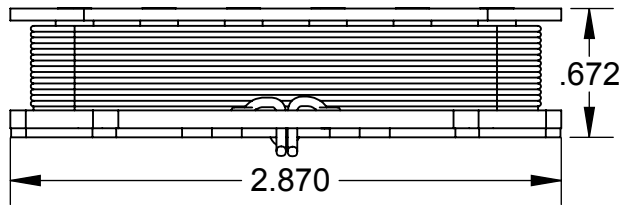
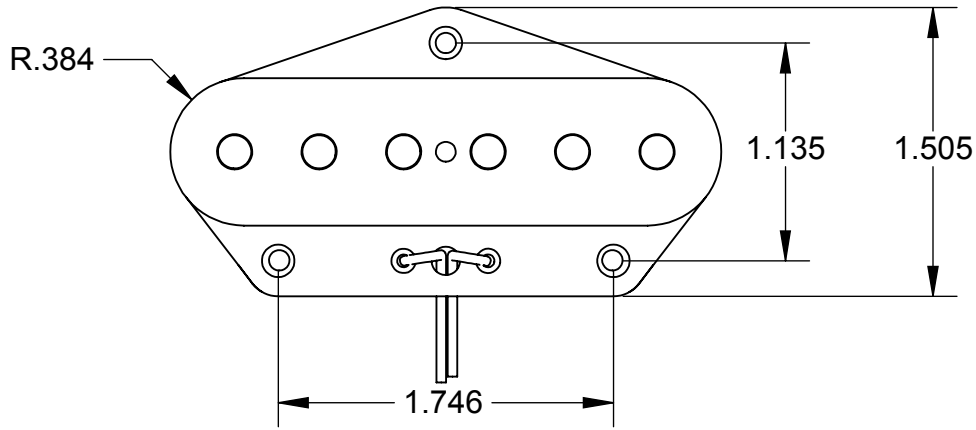


THE INFORMATION CONTAINED IN THIS DRAWING IS THE SOLE PROPERTY OF SEYMOUR DUNCAN RESEARCH. ANY REPRODUCTION IN PART OR WHOLE WITHOUT THE WRITTEN PERMISSION OF SEYMOUR DUNCAN RESEARCH IS PROHIBITED.

REVISIONS			
REV.	DESCRIPTION	DATE	APPROVED



UNLESS OTHERWISE SPECIFIED DIMENSIONS ARE IN INCHES TOLERANCES ARE: FRACTIONS DECIMALS ANGLES .XX ± .01 ± 1 .XXX ± .005	CAD GENERATED DRAWING, DO NOT MANUALLY UPDATE		SEYMOUR DUNCAN RESEARCH			
	APPROVALS DRAWN <i>Steven C.</i>	DATE 7/10/2014			Envelope Drawing STL-1b	
	CHECKED	RESP ENG <i>Kevin Beller</i>	MFG ENG	SIZE A		
	MATERIAL	FINISH	QUAL ENG	SCALE : 1:1	Sheet 1 of 1	