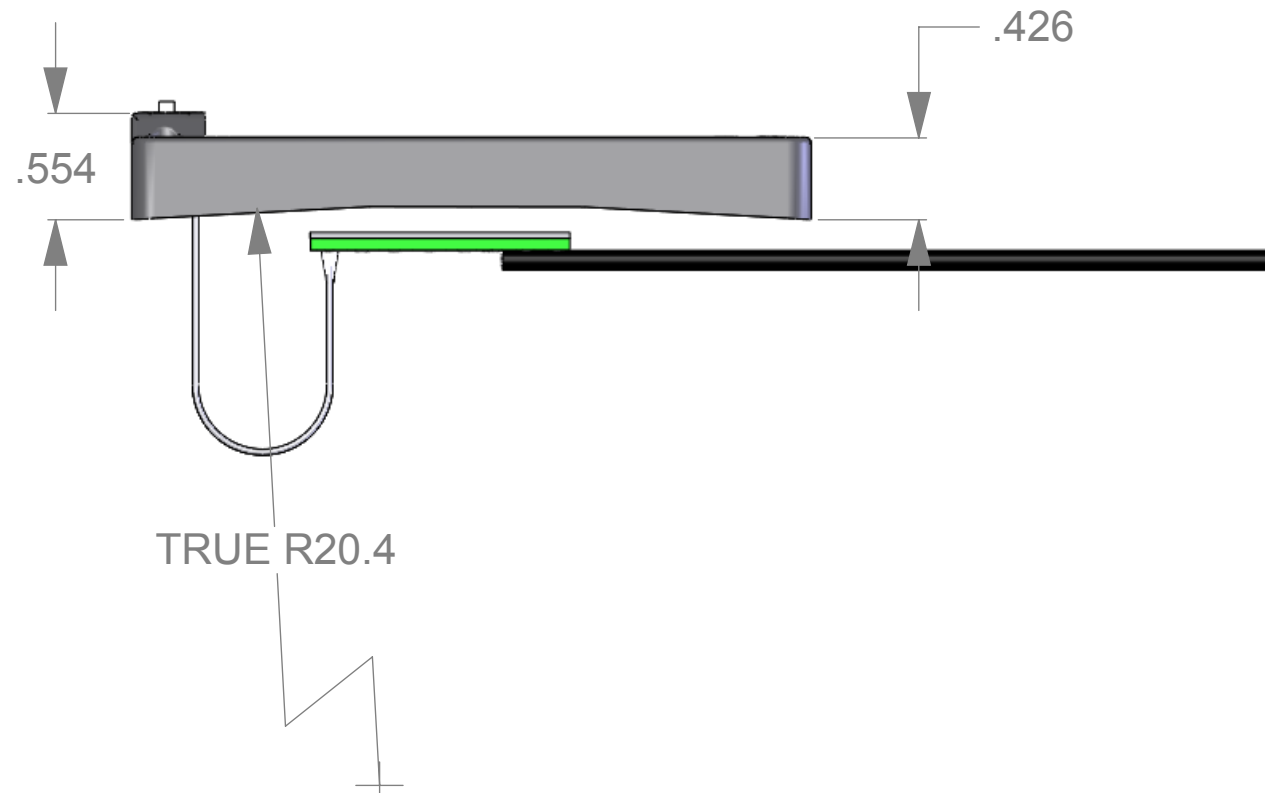
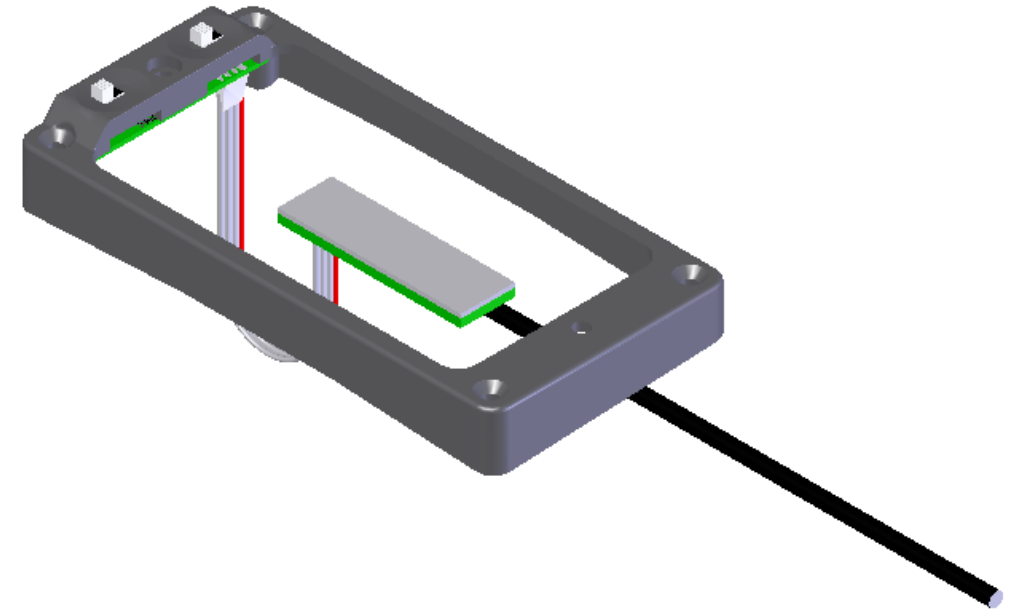
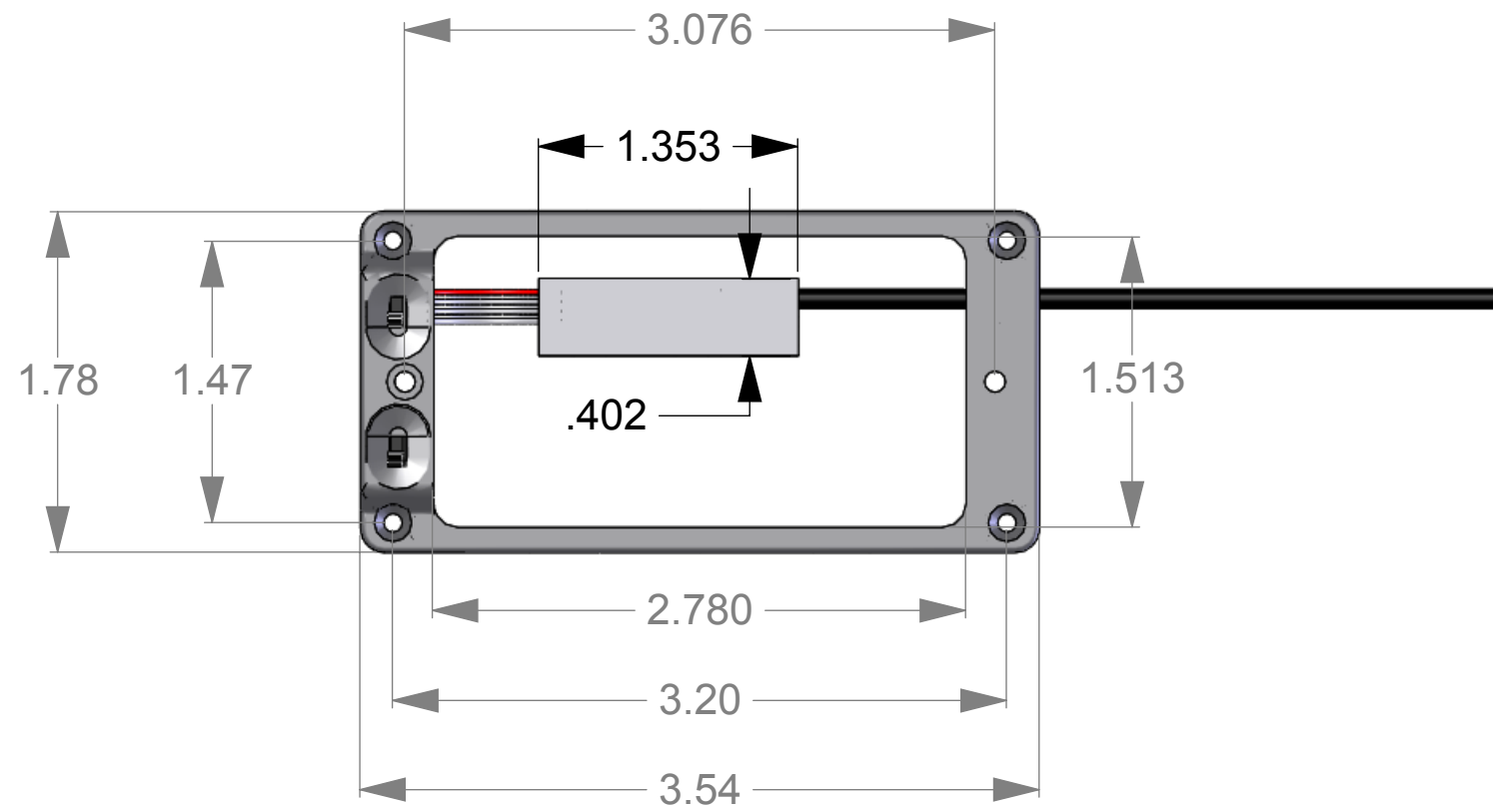


THE INFORMATION CONTAINED IN THIS DRAWING IS THE SOLE PROPERTY OF SEYMOUR DUNCAN RESEARCH ANY REPRODUCTION IN PART OR WHOLE WITHOUT THE WRITTEN PERMISSION OF SEYMOUR DUNCAN RESEARCH IS PROHIBITED.

REVISIONS			
REV.	DESCRIPTION	DATE	APPROVED



UNLESS OTHERWISE SPECIFIED DIMENSIONS ARE IN INCHES TOLERANCES ARE:		CAD GENERATED DRAWING, DO NOT MANUALLY UPDATE		SEYMOUR DUNCAN RESEARCH	
FRACTIONS	DECIMALS	ANGLES	APPROVALS	DATE	Triple Shot Mounting Ring Les Paul, Bridge
+	.XX ± .01	± 1	DRAWN Kevin Beller	10/05/09	
	.XXX ± .005		CHECKED		
MATERIAL	--		RESP ENG Kevin Beller		
FINISH	--		MFG ENG		
DO NOT SCALE DRAWING			QUAL ENG		
SIZE B	DWG. NO. XXXXXXX	REV. 1	SHEET 1 of 1		
SCALE: 1:2	SHEET 1 of 1				