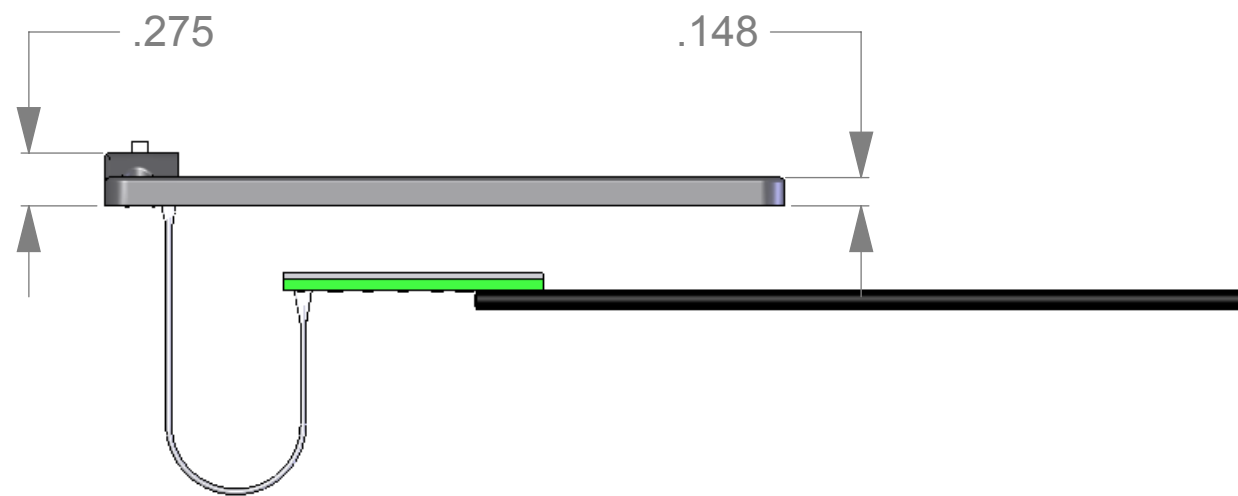
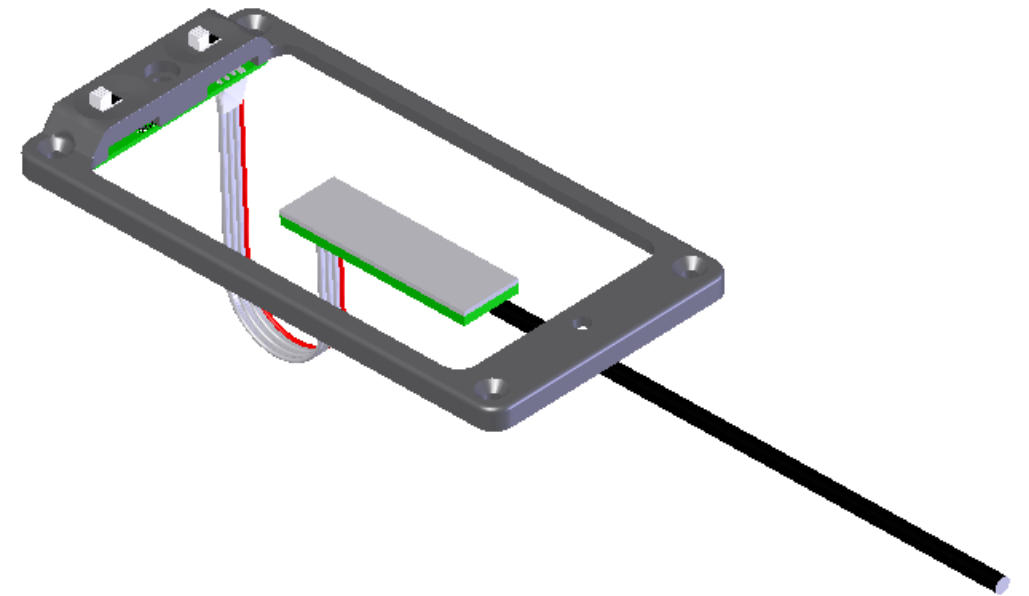
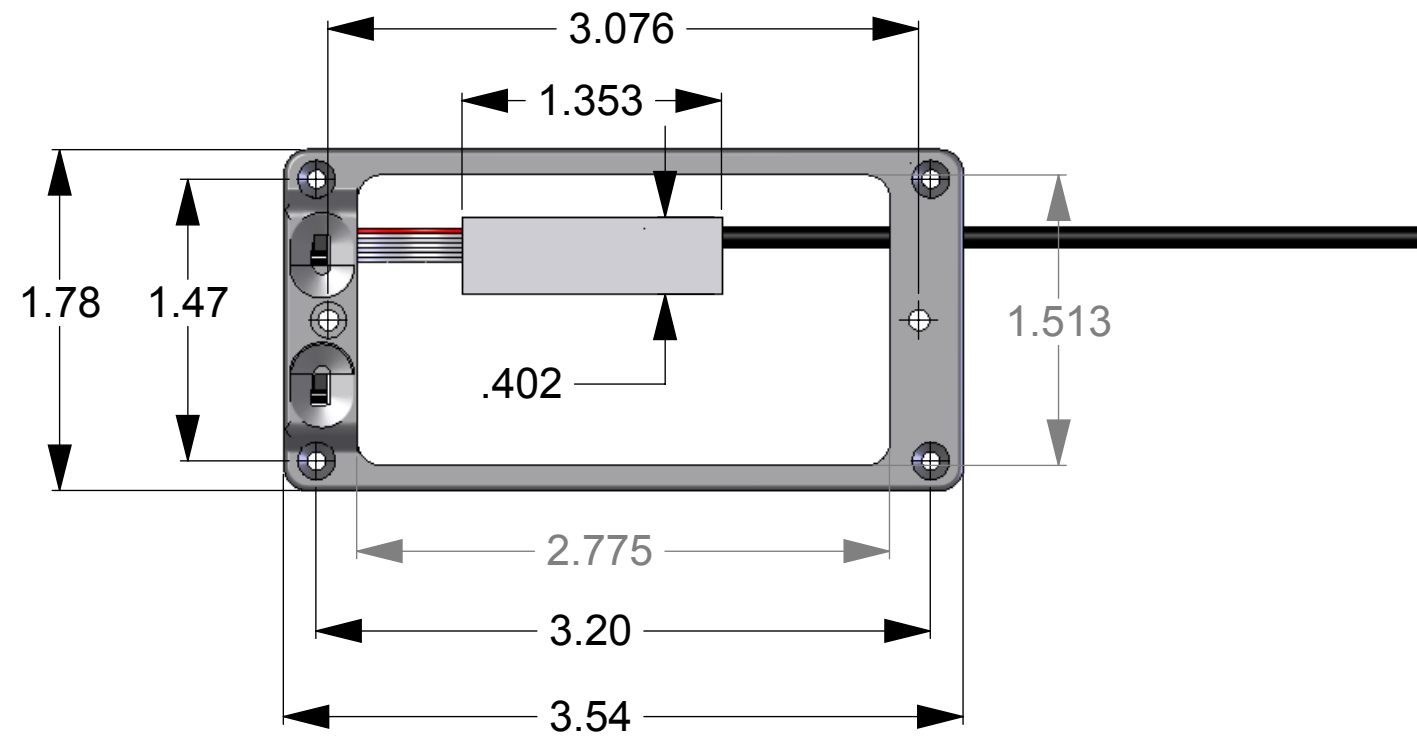


THE INFORMATION CONTAINED IN THIS DRAWING IS THE SOLE PROPERTY OF SEYMOUR DUNCAN RESEARCH ANY REPRODUCTION IN PART OR WHOLE WITHOUT THE WRITTEN PERMISSION OF SEYMOUR DUNCAN RESEARCH IS PROHIBITED.

REVISIONS			
REV.	DESCRIPTION	DATE	APPROVED



UNLESS OTHERWISE SPECIFIED DIMENSIONS ARE IN INCHES TOLERANCES ARE:		CAD GENERATED DRAWING, DO NOT MANUALLY UPDATE		<b>SEYMOUR DUNCAN RESEARCH</b>	
FRACTIONS	DECIMALS	ANGLES	APPROVALS		
+	.XX ± .01	± 1	DRAWN	<i>C.Scott Forbes</i>	<i>14 May 09</i>
	.XXX ± .005		CHECKED		
MATERIAL	--		RESP ENG	<i>Kevin Beller</i>	
FINISH	--		MFG ENG		
DO NOT SCALE DRAWING			QUAL ENG		
SIZE B	DWG. NO. XXXXXXX	REV. 2	SCALE: 1:2 CAD FILE: Eng:\ SHEET 1 of 1		