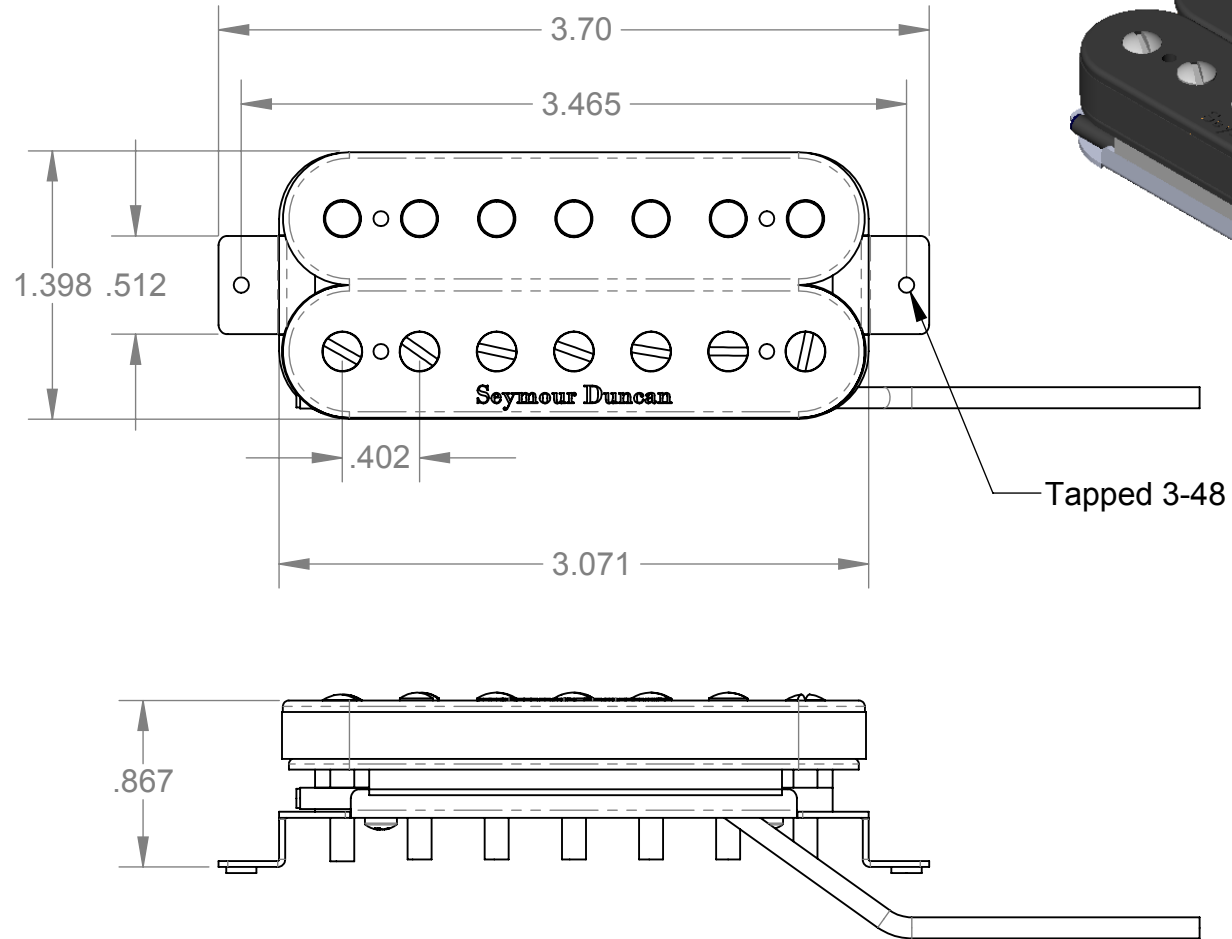


THE INFORMATION CONTAINED IN THIS DRAWING IS THE SOLE PROPERTY OF SEYMOUR DUNCAN RESEARCH. ANY REPRODUCTION IN PART OR WHOLE WITHOUT THE WRITTEN PERMISSION OF SEYMOUR DUNCAN RESEARCH IS PROHIBITED.

REVISIONS			
REV.	DESCRIPTION	DATE	APPROVED



UNLESS OTHERWISE SPECIFIED DIMENSIONS ARE IN INCHES TOLERANCES ARE: FRACTIONS DECIMALS ANGLES .XX ± .01 ± 1 .XXX ± .005	CAD GENERATED DRAWING, DO NOT MANUALLY UPDATE		SEYMOUR DUNCAN RESEARCH		
	APPROVALS DRAWN <i>Kevin Beller</i> CHECKED	DATE 04/04/2013			Package Dimensions 7 String Passive HB
	MATERIAL XXX	RESP ENG <i>Kevin Beller</i> MFG ENG	SIZE A	DWG. NO. XXXXXX	
	FINISH XXX	QUAL ENG	SCALE: 1:1	Sheet 1 of 1	DO NOT SCALE DRAWING