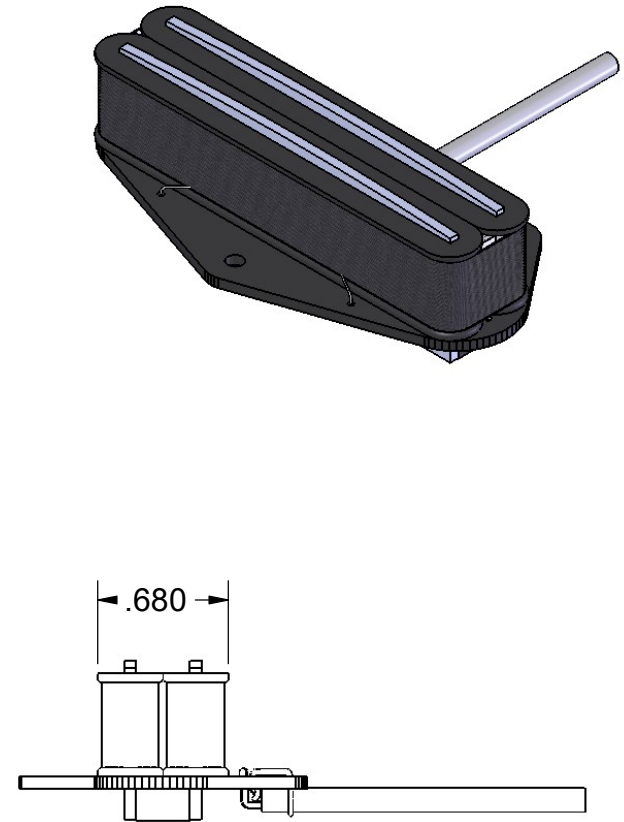
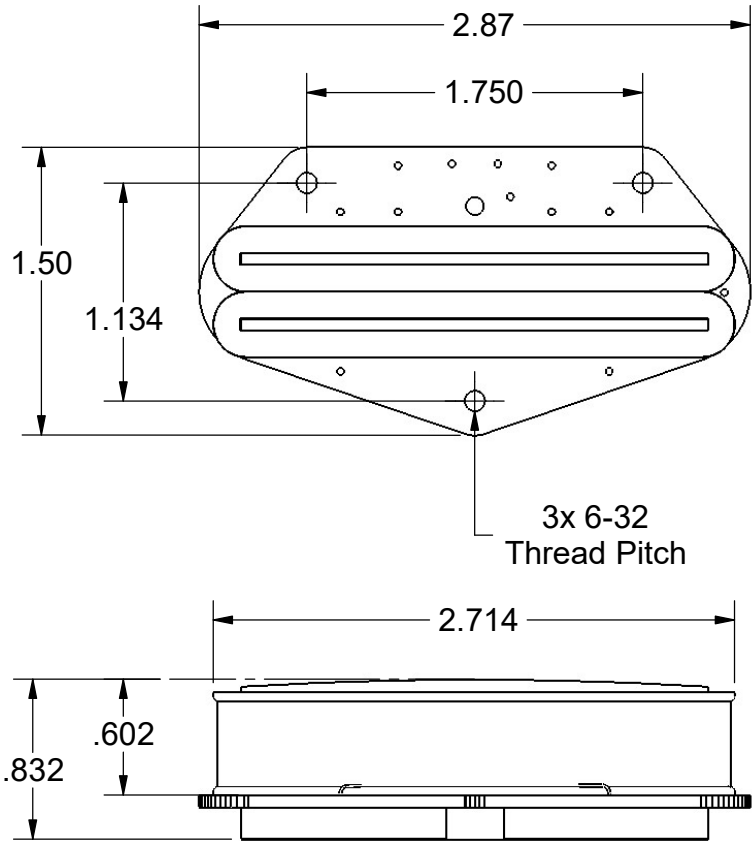


THE INFORMATION CONTAINED IN THIS DRAWING IS THE SOLE PROPERTY OF SEYMOUR DUNCAN RESEARCH. ANY REPRODUCTION IN PART OR WHOLE WITHOUT THE WRITTEN PERMISSION OF SEYMOUR DUNCAN RESEARCH IS PROHIBITED.



UNLESS OTHERWISE SPECIFIED DIMENSIONS ARE IN INCHES TOLERANCES ARE: FRACTIONS DECIMALS ANGLES .XX ± .01 ± 1 .XXX ± .005	CAD GENERATED DRAWING, DO NOT MANUALLY UPDATE		SEYMOUR DUNCAN RESEARCH		
	APPROVALS DRAWN <i>Rick S.</i>	DATE 4/16/2020			Tele Hot Rails Critical Dimensions
	CHECKED RESP ENG <i>Kevin Beller</i>		SIZE A	DWG. NO. STHR-1b	
	MATERIAL FINISH DO NOT SCALE DRAWING	MFG ENG QUAL ENG	SCALE : 1:1	Sheet 1 of 2	