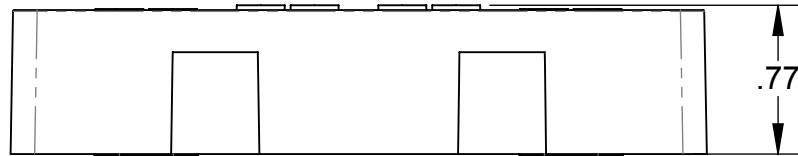
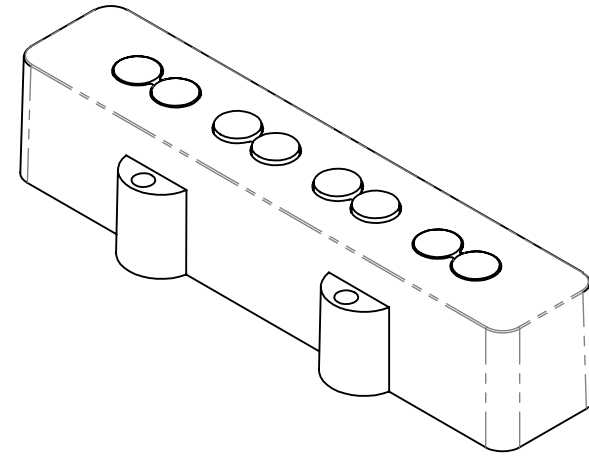
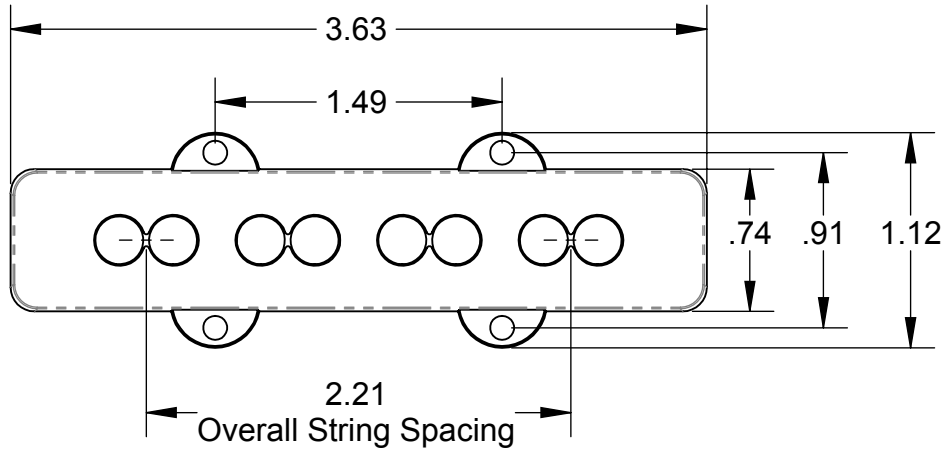


THE INFORMATION CONTAINED IN THIS DRAWING IS THE SOLE PROPERTY OF SEYMOUR DUNCAN RESEARCH. ANY REPRODUCTION IN PART OR WHOLE WITHOUT THE WRITTEN PERMISSION OF SEYMOUR DUNCAN RESEARCH IS PROHIBITED.

REVISIONS			
REV.	DESCRIPTION	DATE	APPROVED



UNLESS OTHERWISE SPECIFIED DIMENSIONS ARE IN INCHES TOLERANCES ARE: FRACTIONS    DECIMALS    ANGLES .XX ± .01    ± 1 .XXX ± .005	CAD GENERATED DRAWING, DO NOT MANUALLY UPDATE		<b>SEYMOUR DUNCAN RESEARCH</b>	
	APPROVALS	DATE		
	DRAWN <i>Steven C.</i>	7/8/2014	<b>Envelope Drawing</b> <b>QP Jazz Neck</b>	
	CHECKED			
MATERIAL FINISH	RESP ENG <i>Kevin Beller</i> MFG ENG	SIZE A		
DO NOT SCALE DRAWING	QUAL ENG	SCALE : 1:1	Sheet 1 of 1	