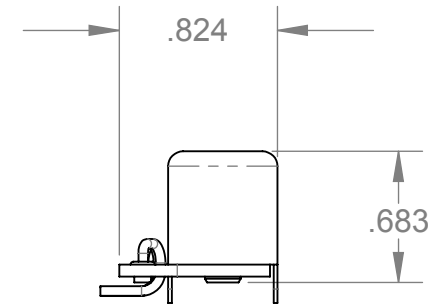
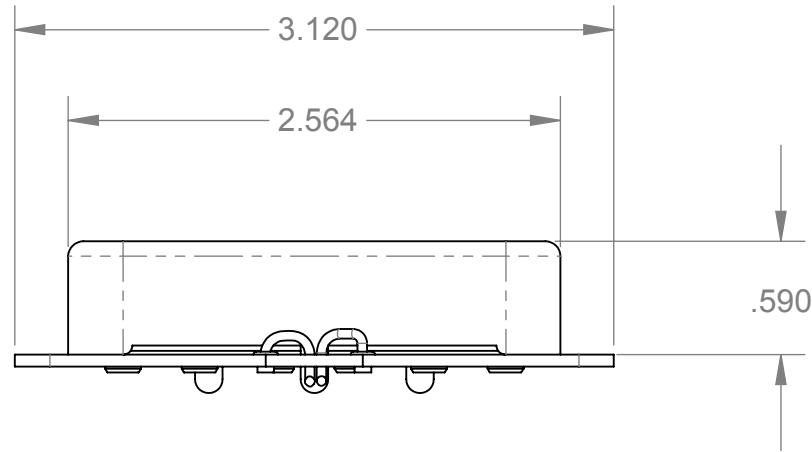
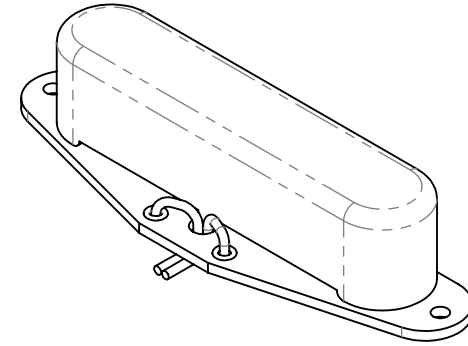
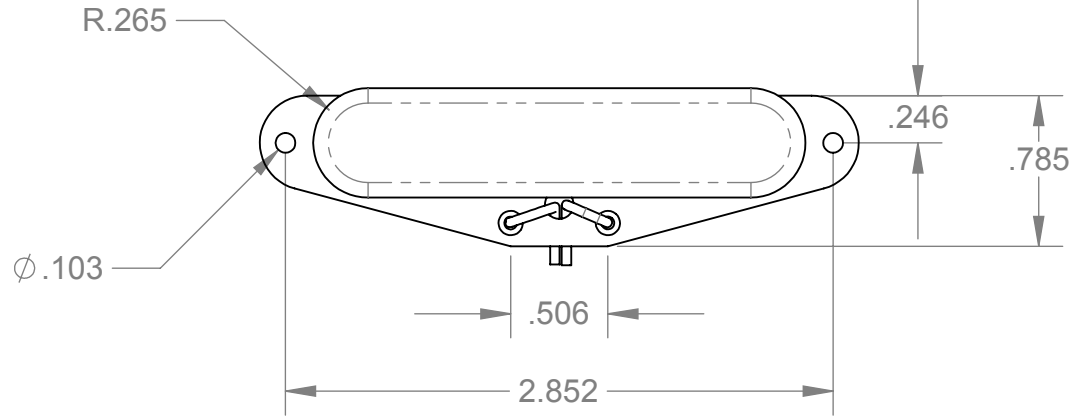


THE INFORMATION CONTAINED IN THIS DRAWING IS THE SOLE PROPERTY OF SEYMOUR DUNCAN RESEARCH. ANY REPRODUCTION IN PART OR WHOLE WITHOUT THE WRITTEN PERMISSION OF SEYMOUR DUNCAN RESEARCH IS PROHIBITED.

REVISIONS			
REV.	DESCRIPTION	DATE	APPROVED



UNLESS OTHERWISE SPECIFIED DIMENSIONS ARE IN INCHES TOLERANCES ARE: FRACTIONS .XX ± .01 ± 1 DECIMALS .XXX ± .005 ANGLES ± 1	CAD GENERATED DRAWING, DO NOT MANUALLY UPDATE		SEYMOUR DUNCAN RESEARCH	
	APPROVALS	DATE		
MATERIAL XXX	DRAWN <i>Kevin Beller</i>	09/07/2012	Profile Drawing STR-1, Vintage Tele Rhythm	
FINISH XXX	CHECKED			
DO NOT SCALE DRAWING	RESP ENG <i>Kevin Beller</i>		SIZE A	DWG. NO. XXXXXXX
	MFG ENG		SCALE: 1:1	REV. X
	QUAL ENG		Sheet 1 of 1	