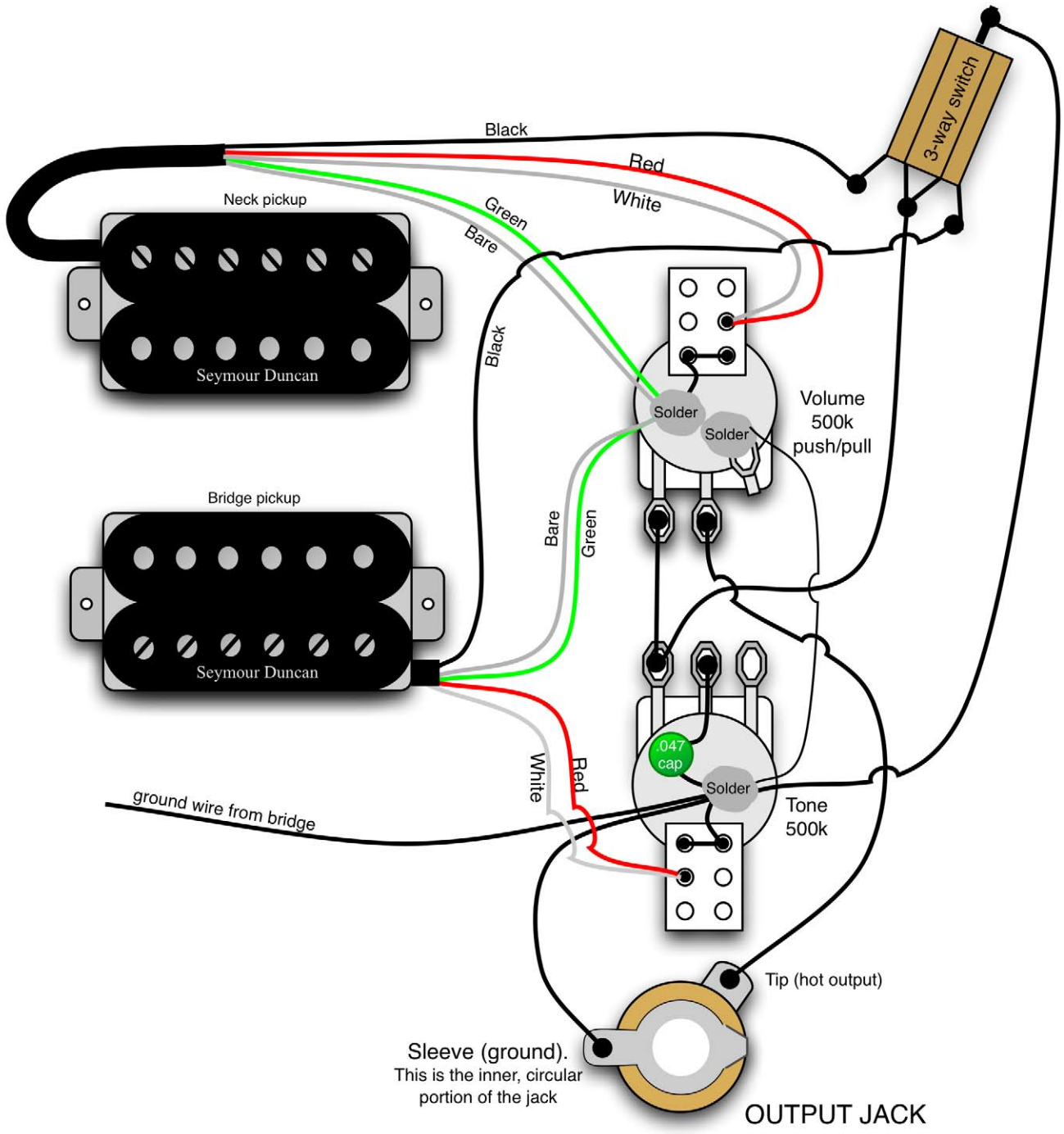
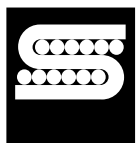


# 2 Humbuckers, 1 Volume, 1 Tone, 3 Way Switch, 2 Push/Pulls



**Solder** = location for ground (earth) connections.

Copyright © 2006 Seymour Duncan/Basslines



**Seymour Duncan®**

5427 Hollister Ave. • Santa Barbara, CA. 93111  
 Phone: 805.964.9610 • Fax: 805.964.9749 • Email: [wiring@seymourduncan.com](mailto:wiring@seymourduncan.com)